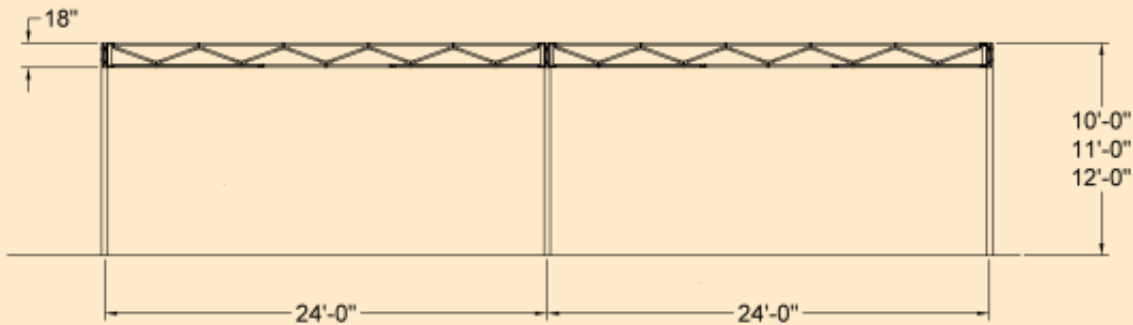




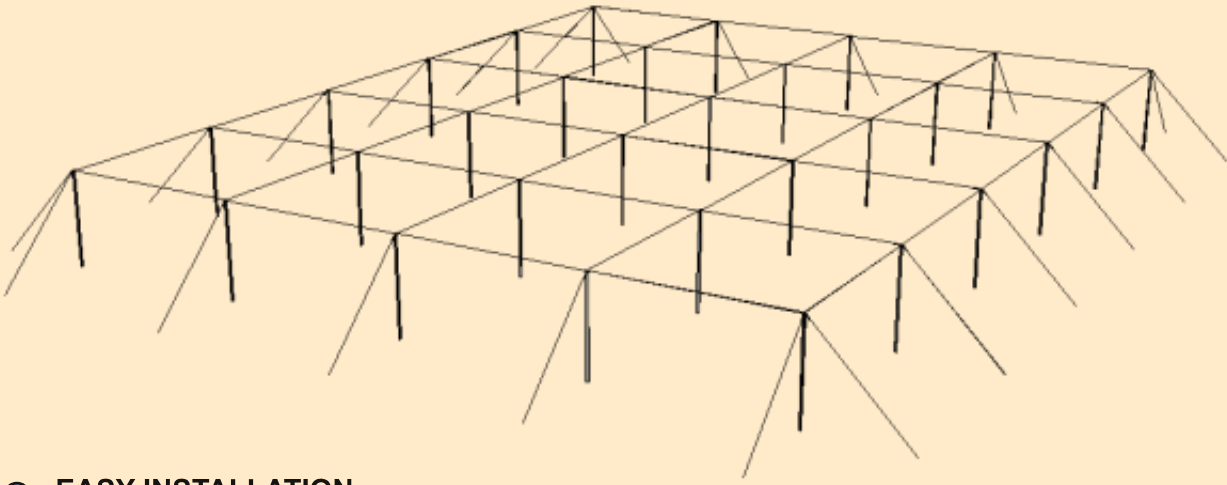
- ATTRACTIVE SHADE STRUCTURE IS IDEAL FOR RETAIL AREAS
- SOLID DESIGN WITH 4" SQUARE COLUMNS AND A BOLT TOGETHER WEBBED TRUSS DESIGN
- 24' CLEAR SPAN BETWEEN COLUMNS
- EASY INSTALLATION

SPECIFICATIONS

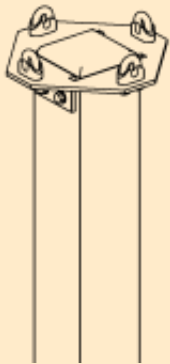


ANY NUMBER OF 24' MODULES CAN BE ASSEMBLED

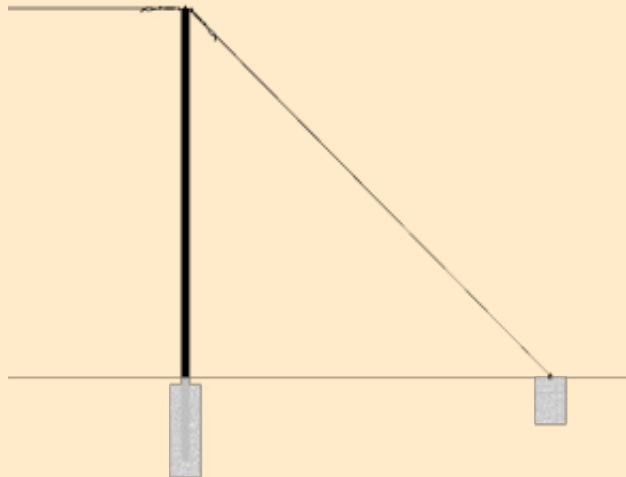
CABLE FRAME SHADE STRUCTURE



- EASY INSTALLATION
- ECONOMICAL DESIGN
- 2-1/2" SQUARE TUBE COLUMNS
- PRE-PUNCHED POST TOP ASSEMBLIES
- MULTIPLE SHADE COVER OPTIONS AVAILABLE
- HEAVY-DUTY GALVANIZED CABLE WITH TURNBUCKLES FOR TENSIONING



POST TOP ASSEMBLY



DEADMAN ASSEMBLY

313 Jesse Way
Redlands, CA 92374
(909) 583-7955



5513 Vine Street
Cincinnati, OH 45217
(513) 242-0130

Facilities in San Diego and Cincinnati
WWW.GPSTRUCTURES.COM